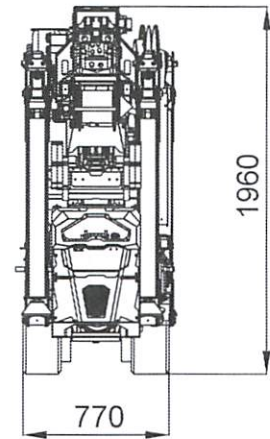
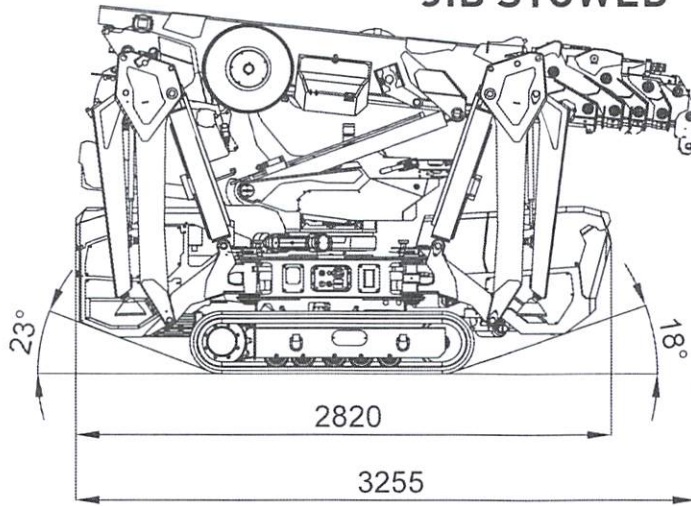
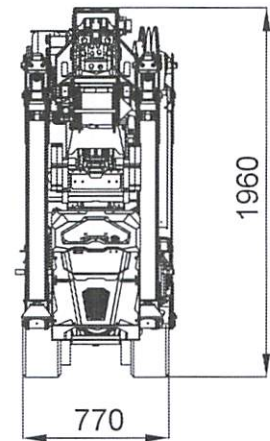
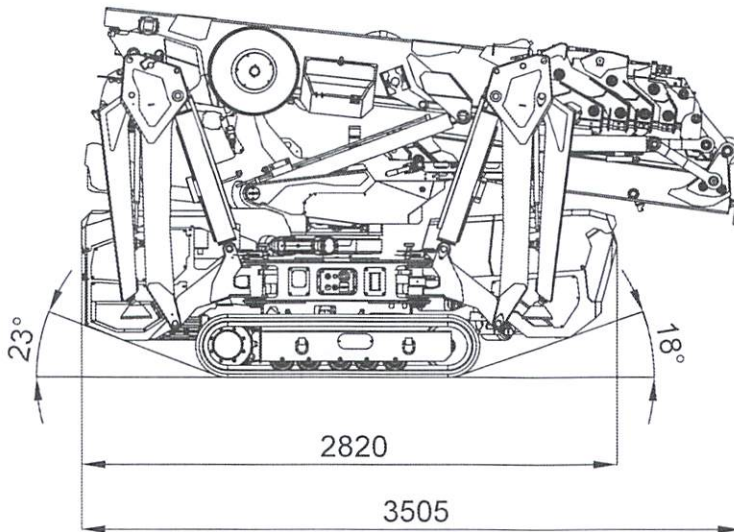


## OVERALL DIMENSIONS

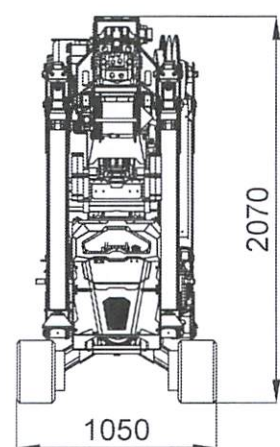
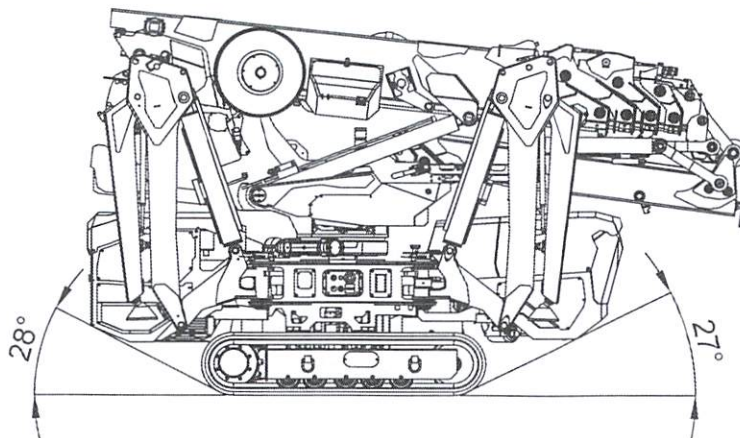
### SPX532CDH JIB STOWED



### JIB MOUNTED

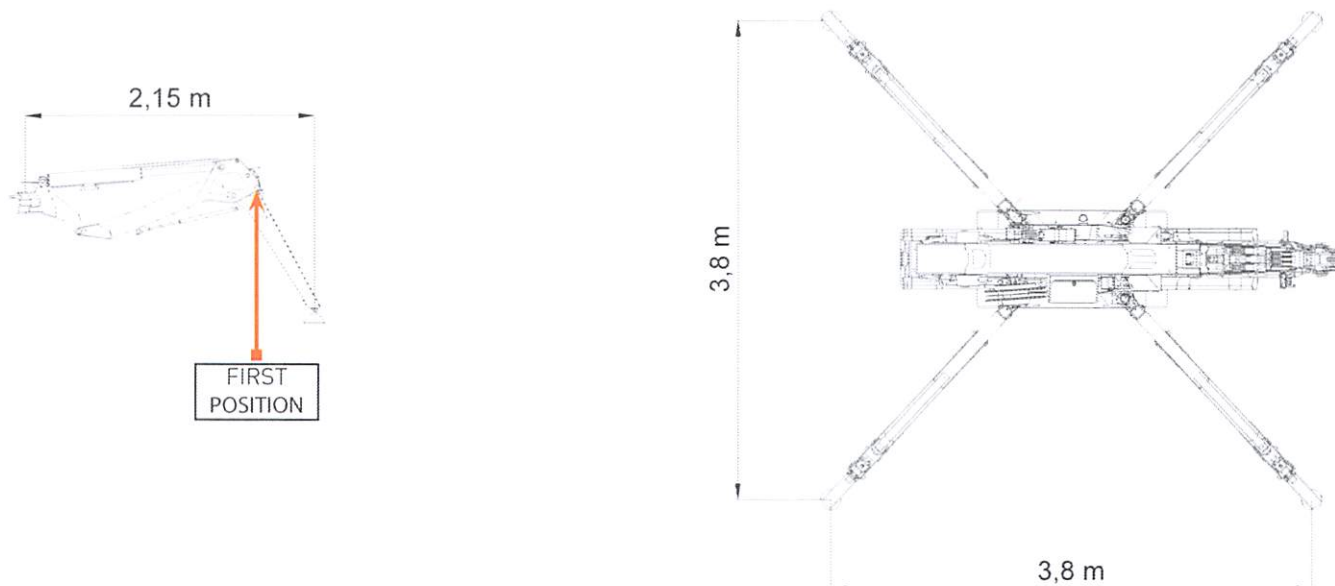


### EXTENDED TRACKS

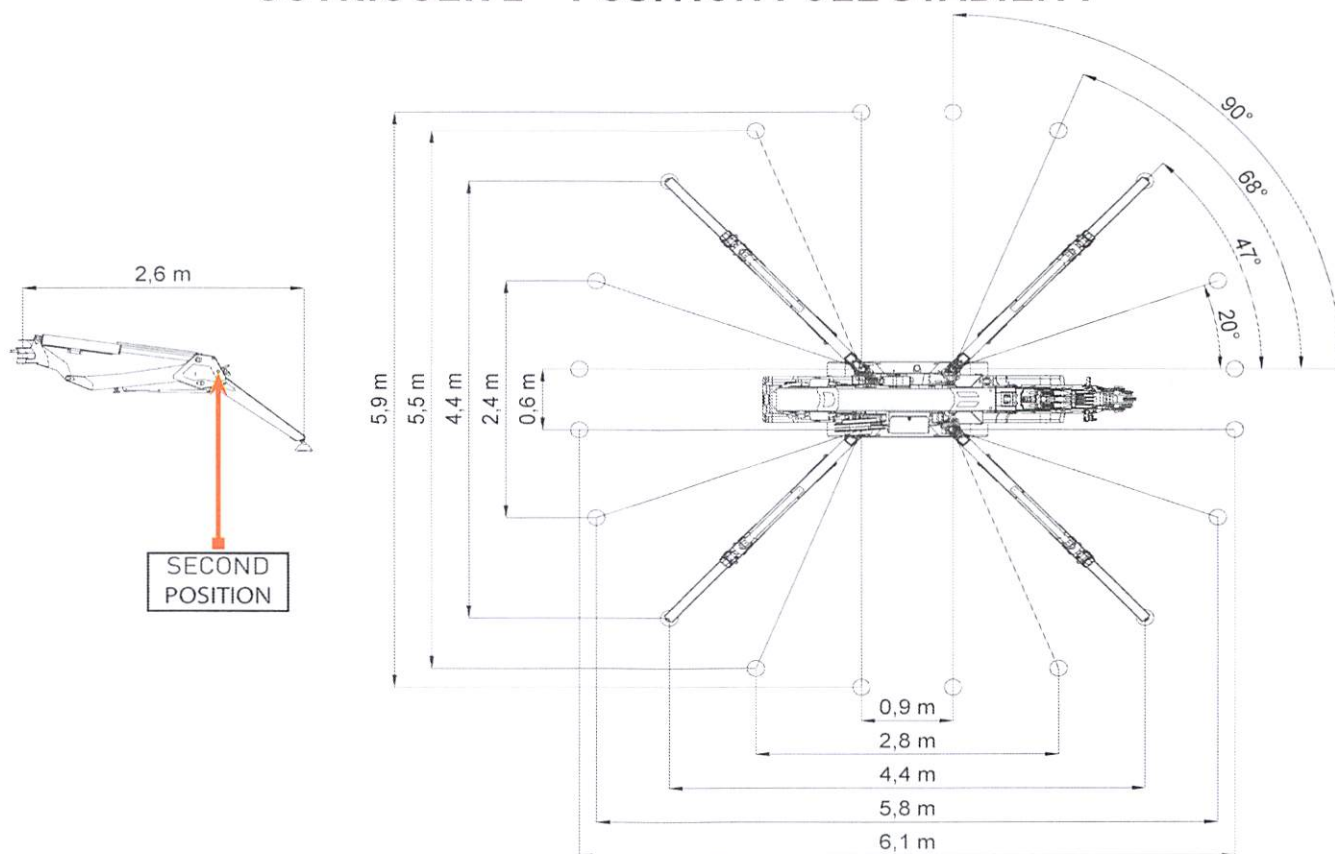


[mm]

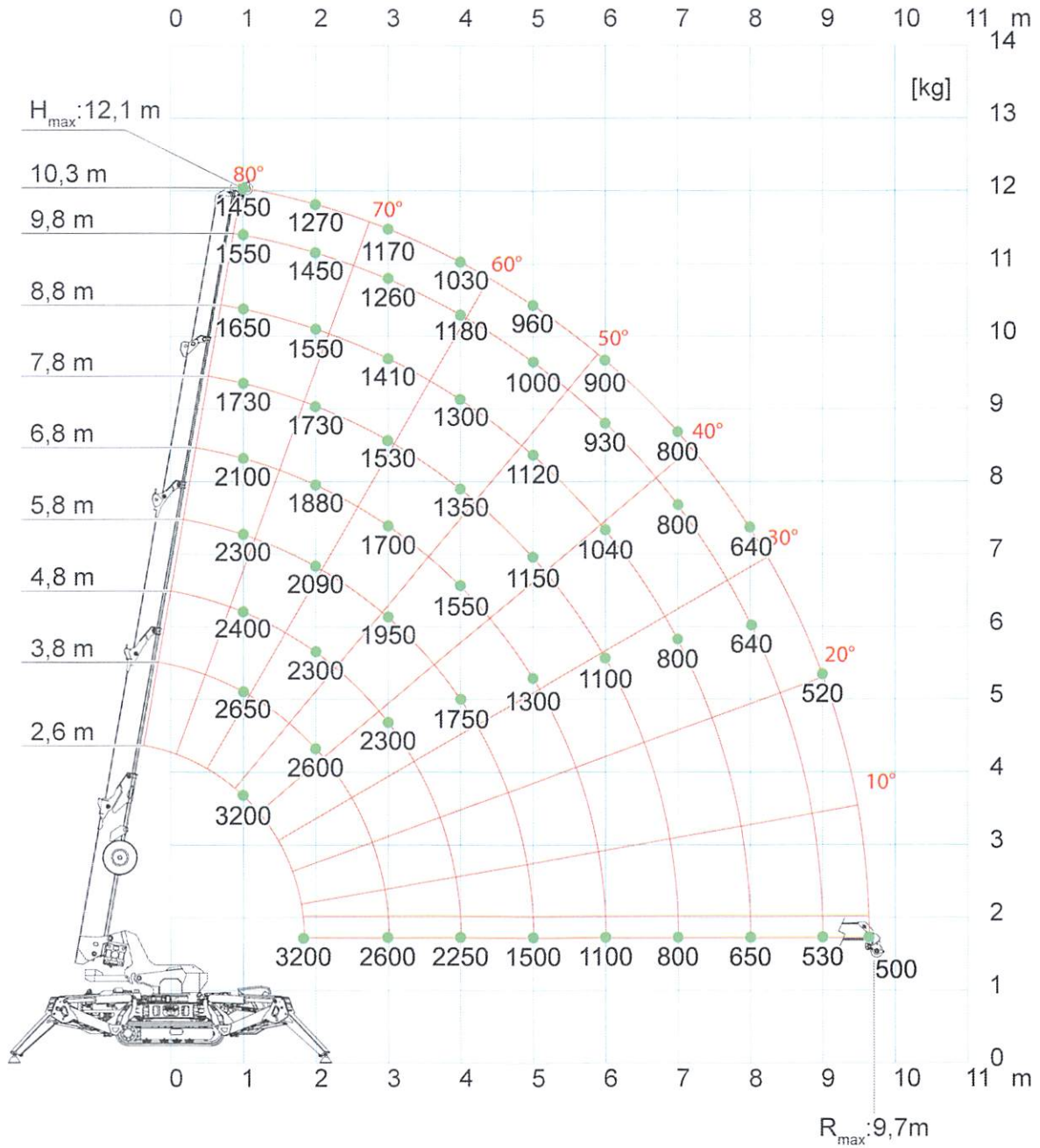
## OVERALL DIMENSIONS SQUARE OUTRIGGER 1<sup>ST</sup> POSITION STABILITY



## OUTRIGGER 2<sup>ND</sup> POSITION FULL STABILITY

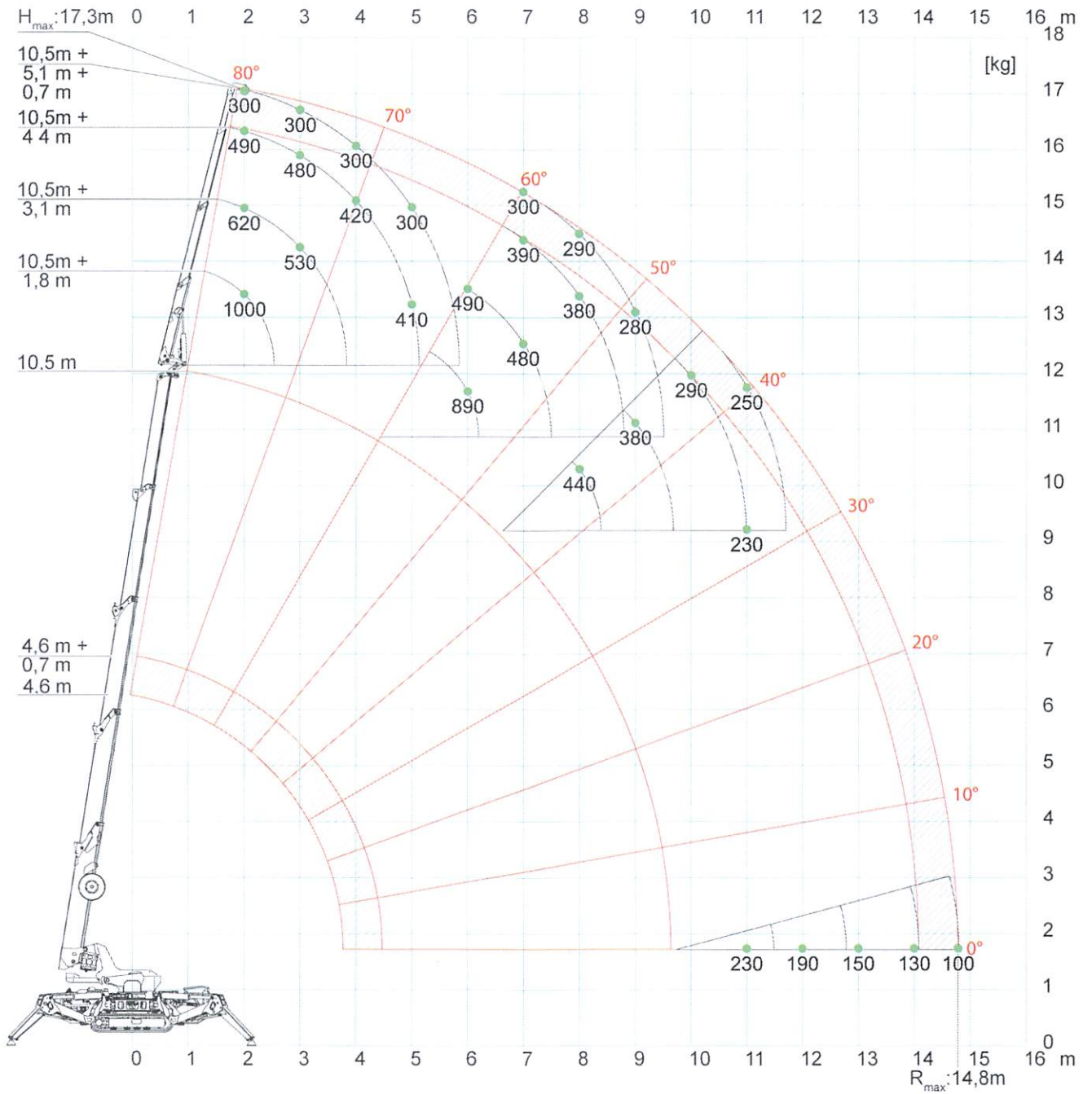


## SPX532 - MAIN BOOM



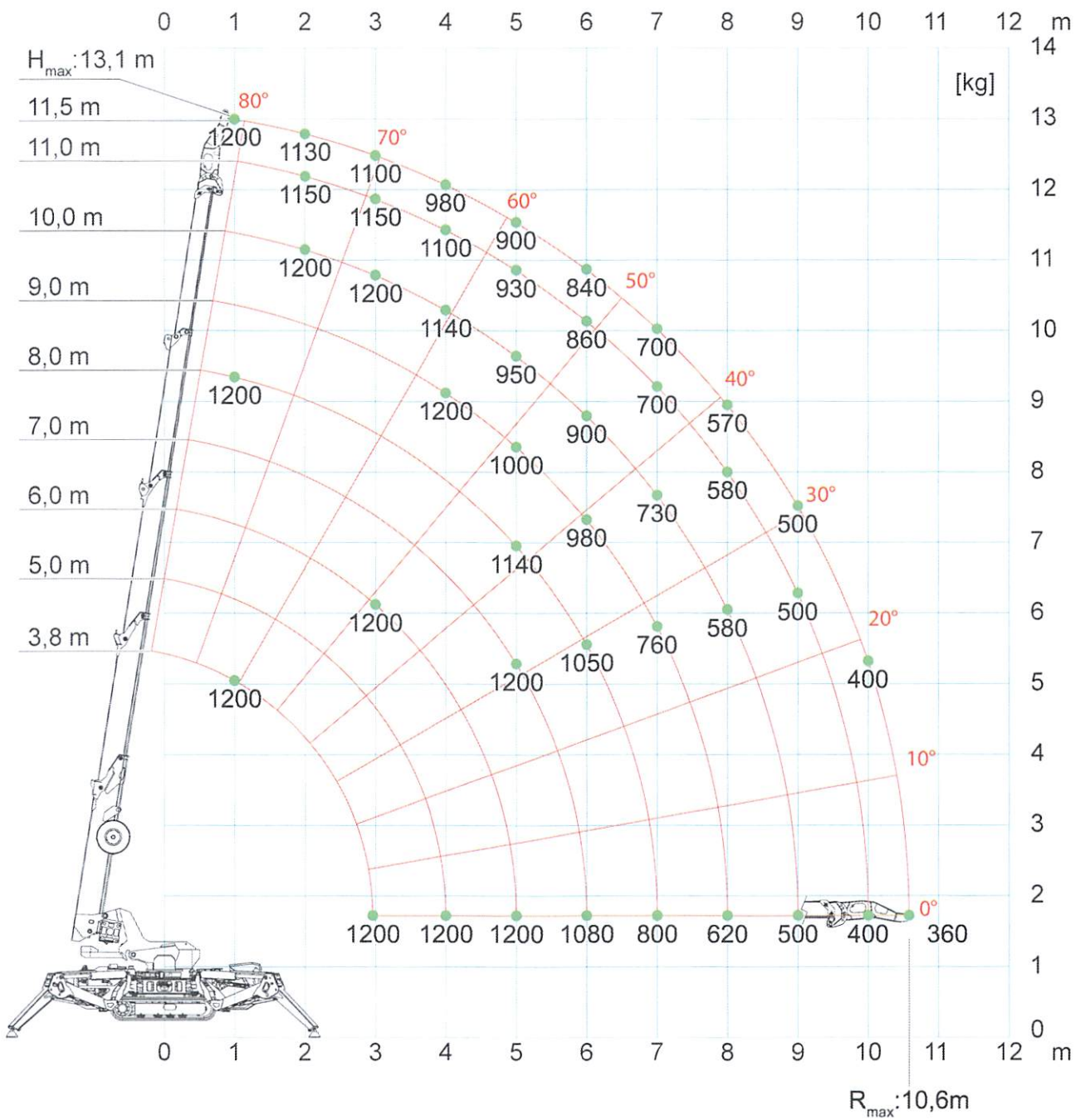


## SPX532 - JIB1000.2H1MX

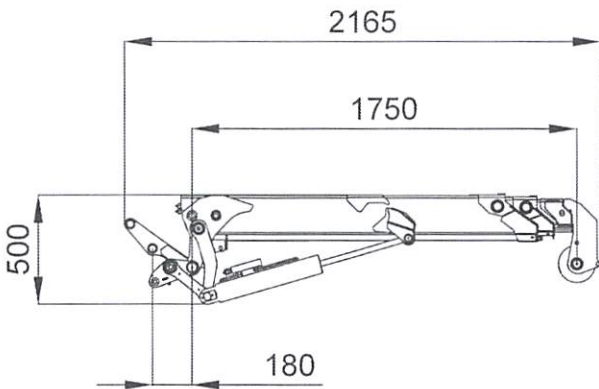
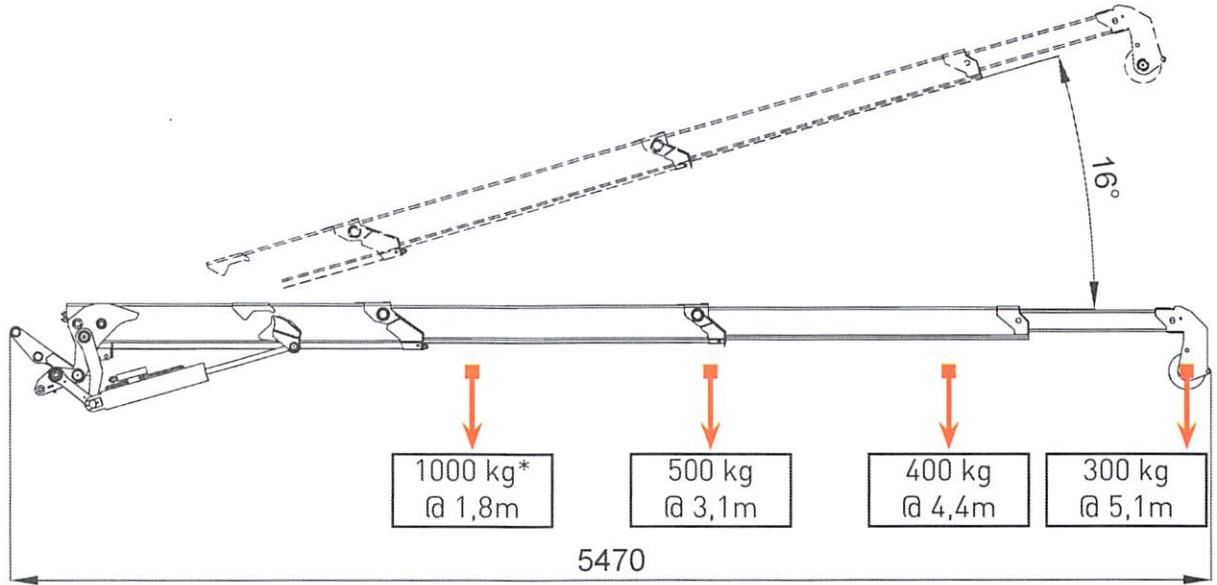


\*: With manual extension on maximum weight is limited to 300kg.

## SPX532 - JIB1200GX

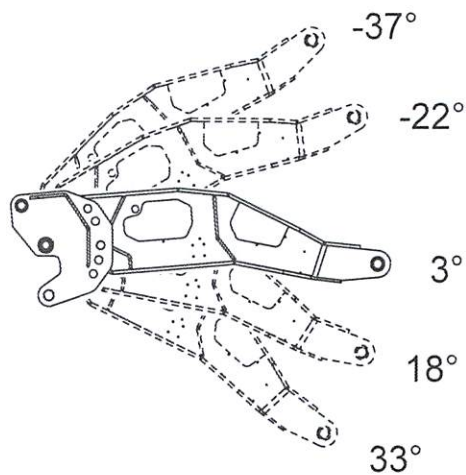
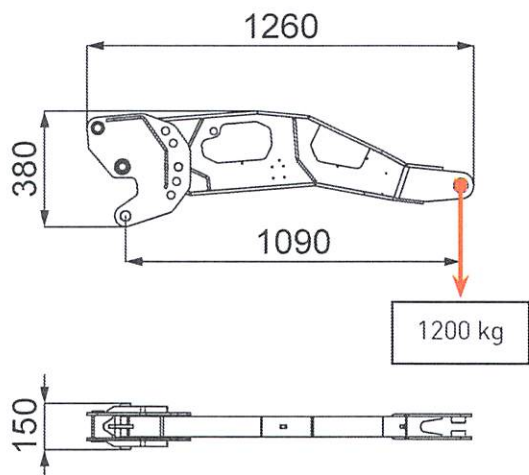


**ACCESSORIES FEATURES**  
**JIB1000.2H1MX**



\*: Maximum capacity using hook, with winch this is limited to single fall winch capacity (800 kg).

## JIB1200GX



## JIB500GR

